



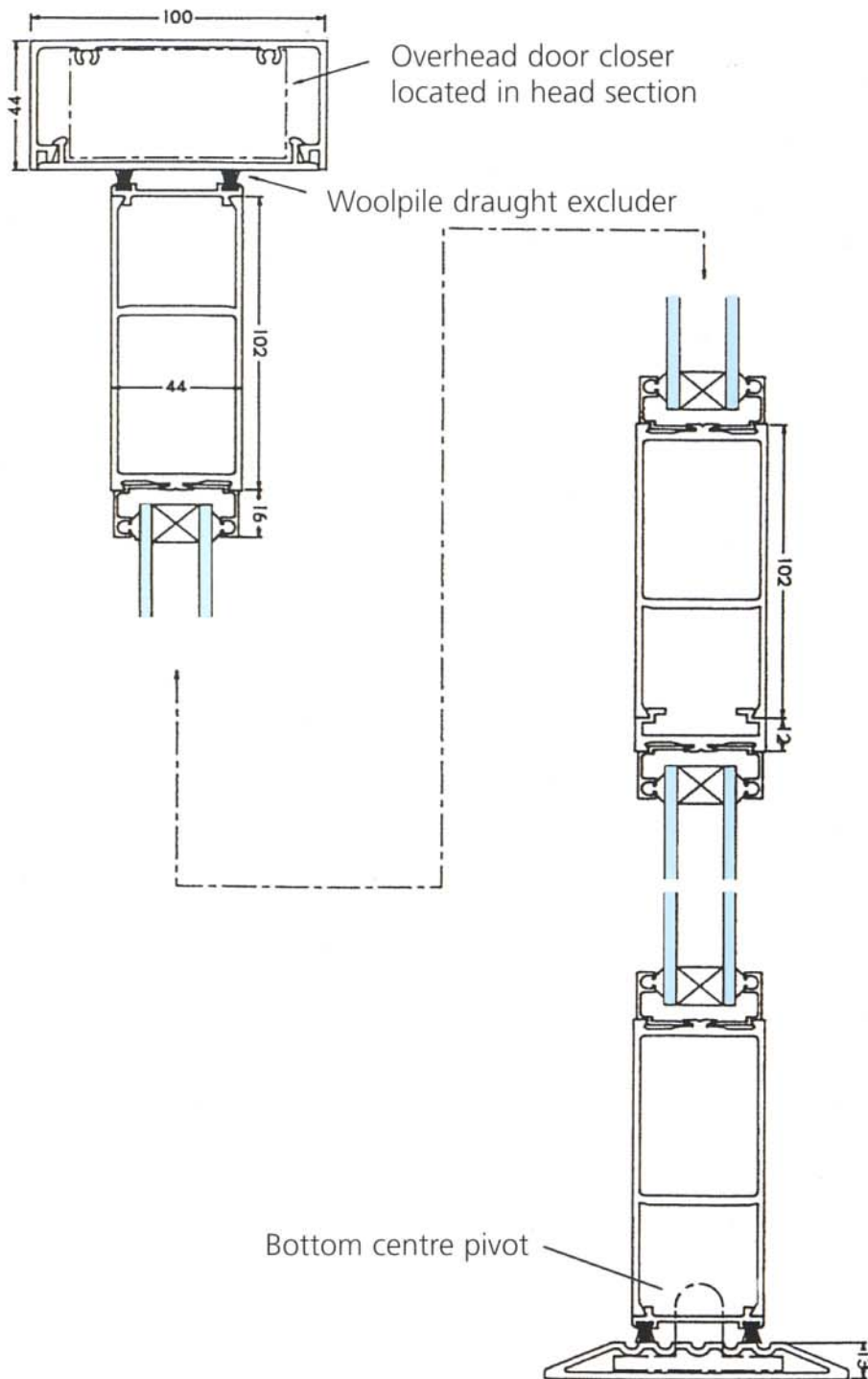
C O M M E R C I A L

BOX SECTION DOOR SYSTEM

Box section door system extruded from aluminium which is suitable for a wide range of glazing applications. Available in a wide range of colours which will enhance the aesthetic appearance of all commercial and industrial buildings, new build or refurbishment.



Box Section Door System



Specification

24mm sealed units approved to BS 5713 and BS 6262.

Continuous double brush weatherseal.

Mechanically screw spline jointed using a head and bottom rail plate for additional strength.

EPDM dry glazing system. (In accordance with BS 7412: 1991)

Available in White as standard.

Adams Rite Hooklock with cylinder key operation as standard.

Concealed overhead closer - available as "hold" or "no-hold" option.

"T" section fitted to meeting stiles on Double doors as standard.

Size 100mm x 200mm standard pad handles.

Ironmongery is a satin anodised finish as standard to BS 1615.

Performance

Manufactured and installed within an ISO 9002 approved quality management system.

Anodised to BS 1615 (1972).

Paint finish BS 6496 (1984) by Interpon D 525 approved specialist.

Extruded from AM 62 Alloy - ISO EN 6063.

Mechanical properties guaranteed to BS 1474: 1987 6063-T6.

