



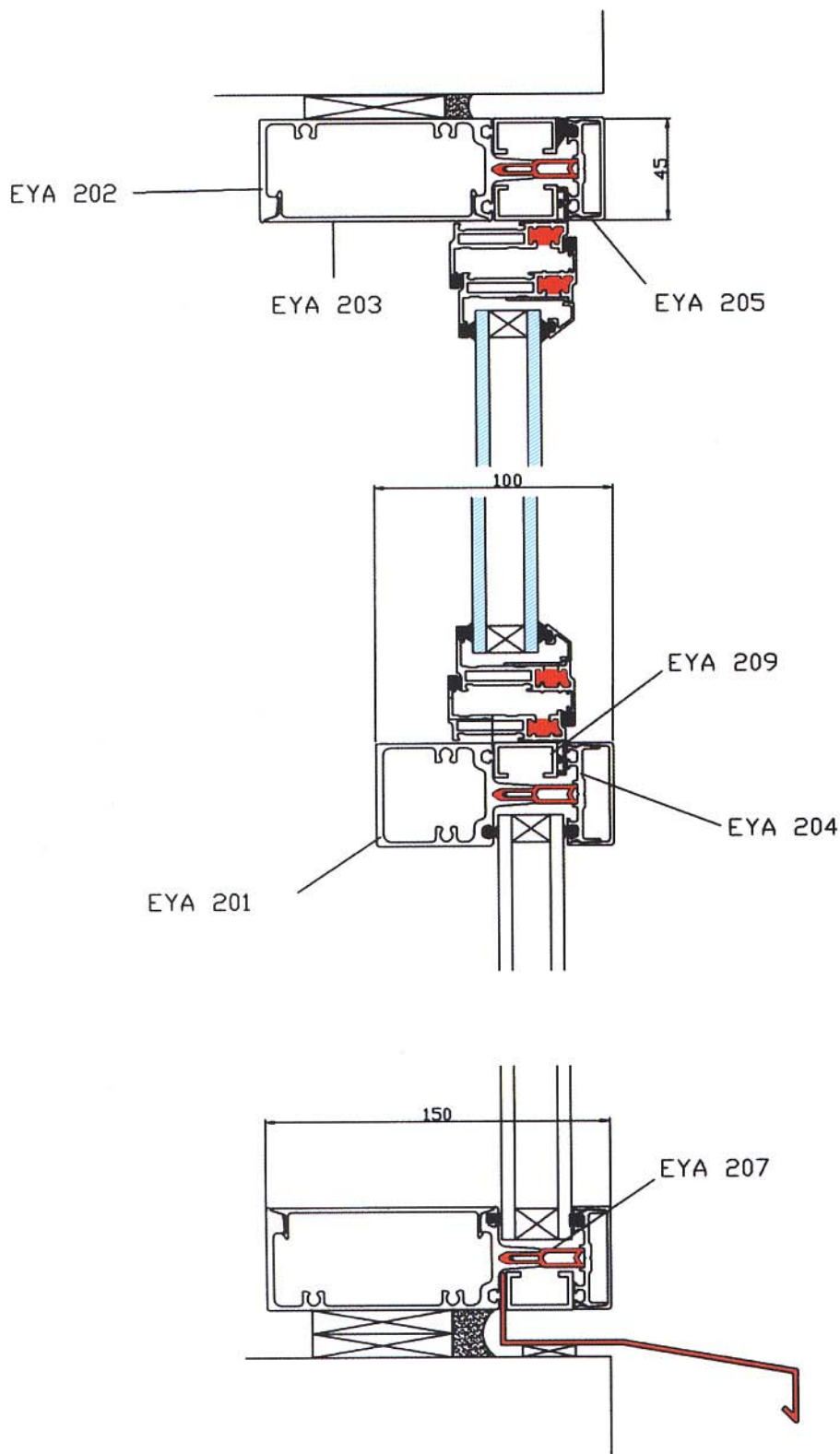
C O M M E R C I A L

**LARGE & SMALL CURTAIN  
WALLING WITH ALUMINIUM  
CASEMENT INSERT**

Large and small curtain walling with aluminium casement insert extruded from aluminium which is suitable for a wide range of glazing applications. Available in a wide range of colours which will enhance the aesthetic appearance of all commercial and industrial buildings, new build or refurbishment.



## Large & Small Curtain Walling With Aluminium Casement Insert



### Specification

26mm sealed unit approved to BS 5713.  
EPDM dry glazing system. (In accordance with BS 7412:1991)

Mechanically jointed using screw splines.  
Rigid black P.V.c. Thermal barrier.  
Drainage through pressure plate and cap slots.

Transom/Mullion joints sealed with "Sleeves" during fabrication for maximum weather tightness.

Available in standard matt colour range.

### Performance

Manufactured and installed within an ISO 9002 approved quality management system.

Weather tested to BS 5368 (Part 1,2 & 3) and BS 6375.

Anodised to BS 1615 (1972).

Paint finish BS 6496 (1984) by Interpon D 525 approved specialist.

Extruded from AM 62 Alloy - ISO EN 6063.

Mechanical properties guaranteed to BS 1474: 1987 6063-T6.

For full details of aluminium casement windows see relevant product sheet.

