



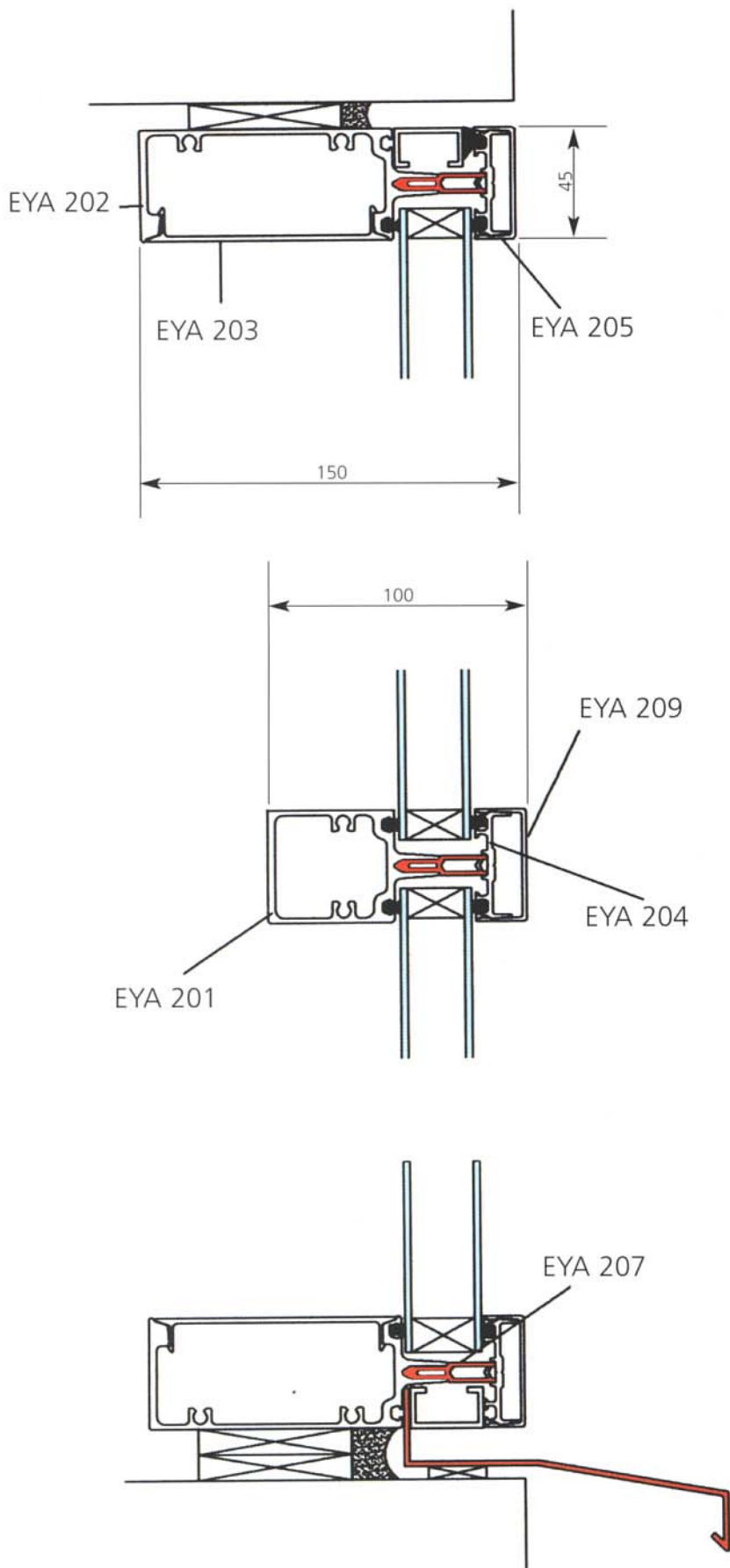
C O M M E R C I A L

LARGE & SMALL CURTAIN WALLING

Large and small curtain walling system extruded from aluminium which is suitable for a wide range of glazing applications. Available in a wide range of colours which will enhance the aesthetic appearance of all commercial and industrial buildings, new build or refurbishment.



Large & Small Curtain Walling



Specification

26mm sealed unit approved to BS 5713.
EPDM dry glazing system. (In accordance with BS 7412:1991)
Mechanically jointed using screw splines.
Pressure plate glazed with 17mm or 21mm cover caps (Fixed at 300mm centres).
Rigid black P.V.c. Thermal barrier.
Drainage through pressure plate and cap slots.
Transom/Mullion joints sealed with "Sleeves" during fabrication for maximum weather tightness.
Available in standard matt colour range.

Performance

Manufactured and installed within an ISO 9002 approved quality management system.
Weather tested to BS 5368 (Part 1,2 & 3) and BS 6375.
Anodised to BS 1615 (1972).
Paint finish BS 6496 (1984) by Interpon D 525 approved specialist.
Tested to A.A.M.A. specification 501:2:83 (Field test dated 22.11.95).
Extruded from AM 62 Alloy - ISO EN 6063.
Mechanical properties guaranteed to BS 1474: 1987 6063-T6.

