



C O M M E R C I A L

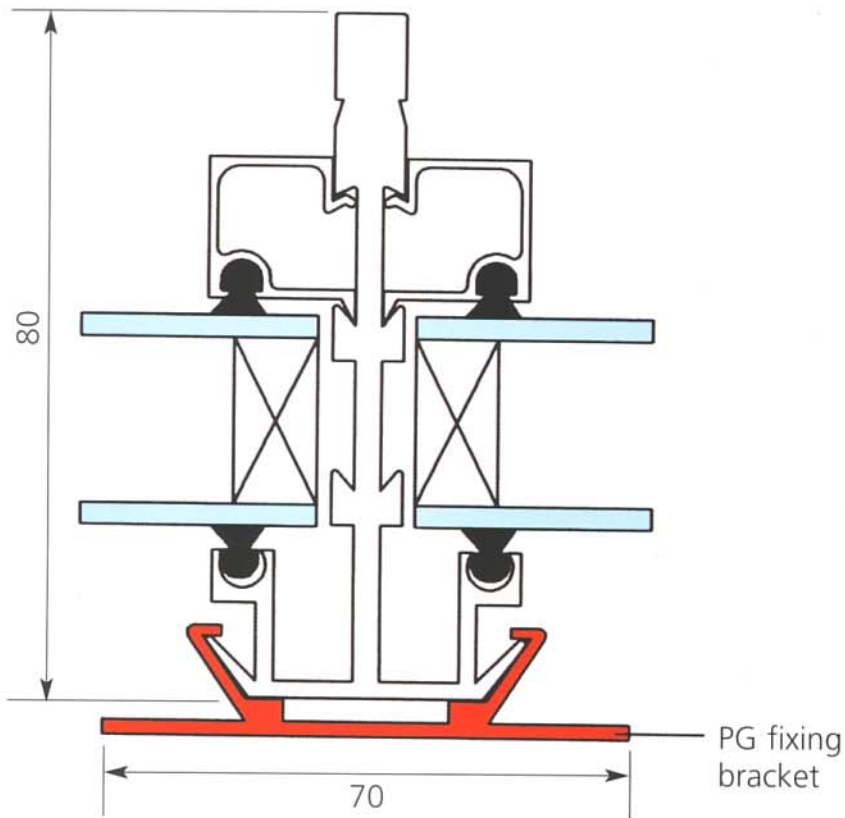
PATENT GLAZING SYSTEM

Patent glazing system extruded from aluminium which is suitable for most glazed walk ways in a wide range of colours which will enhance the aesthetic appearance of all commercial and industrial buildings.

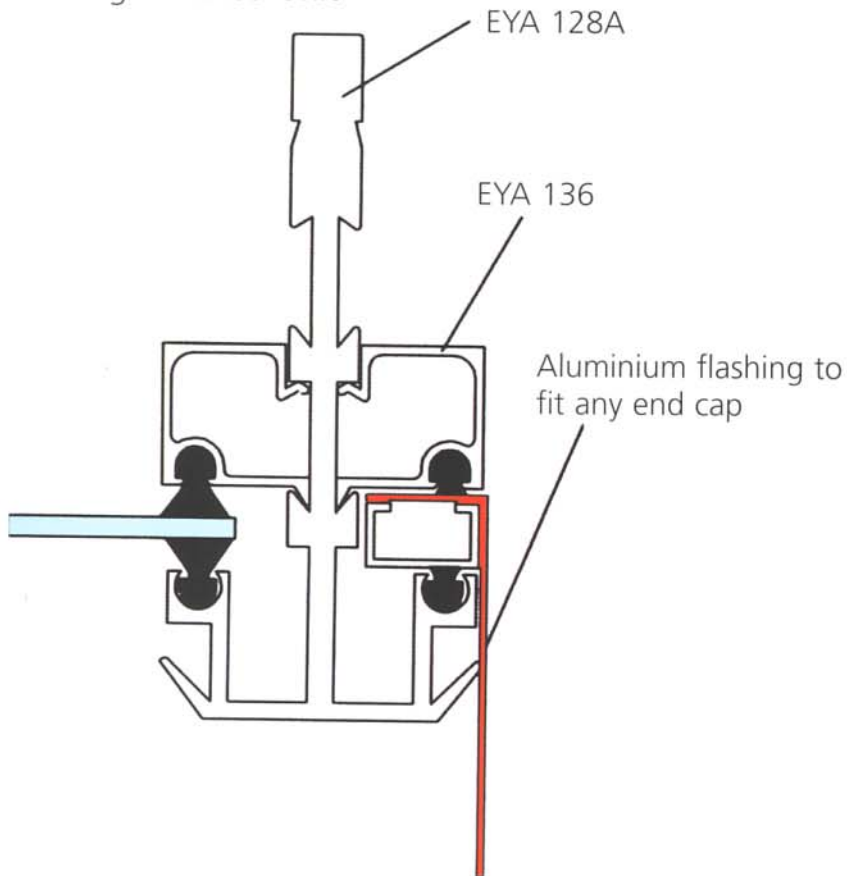


Patent Glazing System

Double Glazed Unit



Single Glazed Unit



Specification and Performance

Manufactured and installed within an ISO 9002 approved quality management system.

Anodised to BS 1615 (1972).

Paint finish BS 6496 (1984) by Interpon D 525 approved specialist.

Extruded from AM 62 Alloy - ISO EN 6063.

Mechanical properties guaranteed to BS 1474: 1987 6063-T6.

Code of practice for design and installation of sloping and vertical patent glazing BS 5516 (1991).

24mm sealed units approved to BS 5713.

