



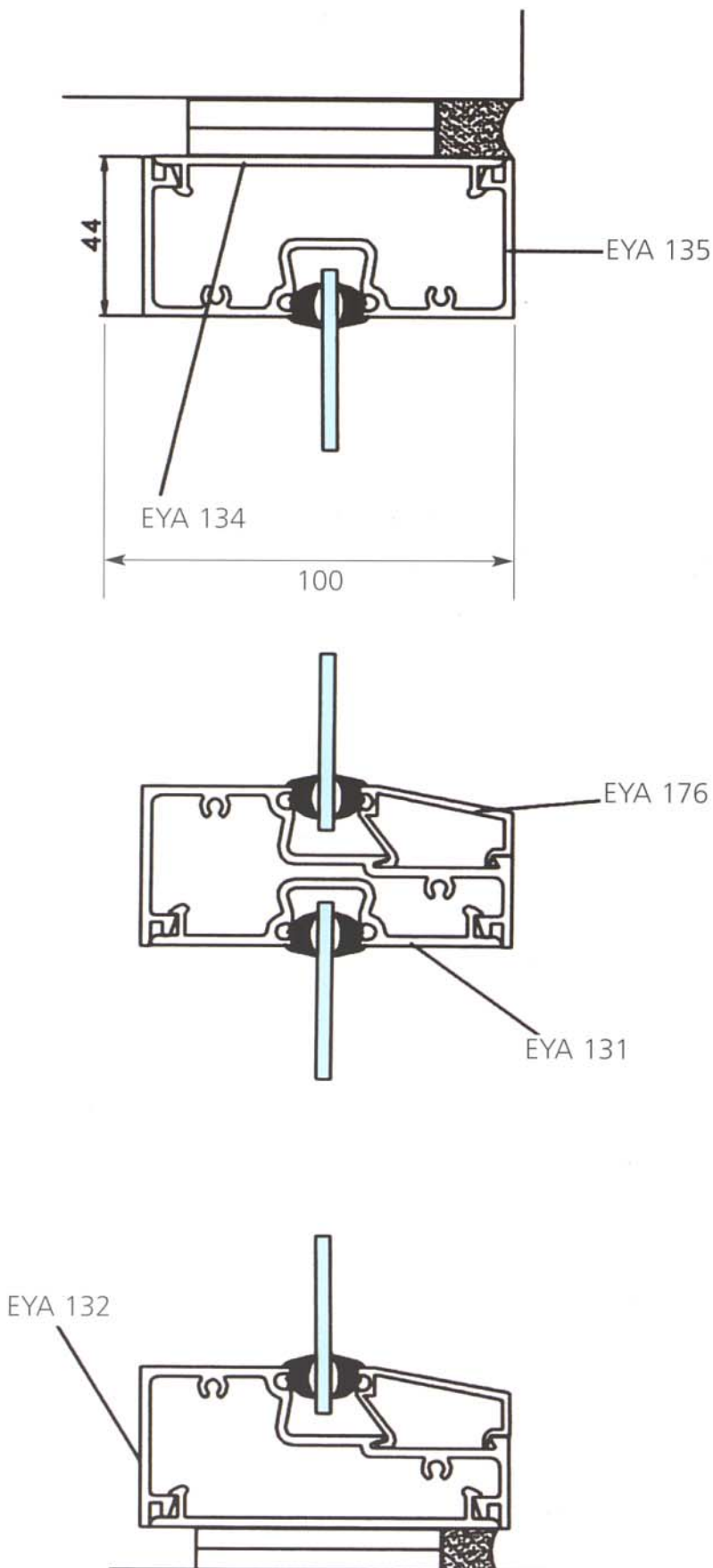
C O M M E R C I A L

SINGLE GLAZED BOX SECTION

Single glazed box section system extruded from aluminium which is suitable for a wide range of glazing applications. Available in a wide range of colours which will enhance the aesthetic appearance of all commercial and industrial buildings, new build or refurbishment.



Single Glazed Box Section



Specification

Single glazed.

EPDM dry glazing system. (In accordance with BS 7412:1991).

Mechanically jointed using screw splines.

Available in standard matt colour range.

Pocket (shuffle) glazed with sloping bottom bead.

Performance

Manufactured and installed within an ISO 9002 approved quality management system.

Weather tested to BS 5368 (Part 1,2 & 3) and BS 6375.

Anodised to BS 1615 (1972).

Paint finish BS 6496 (1984) by Interpon D 525 approved specialist.

Extruded from AM 62 Alloy - ISO EN 6063.

Mechanical properties guaranteed to BS 1474: 1987 6063-T6.

