

COMPONENTS

CRS 9240
Skypod 3-bar top cap

CRS 9241
Skypod 2-bar top cap

CRS 9242
Skypod SQ spider top cap

CRS 9423
Skypod SQ sealing plate

CRS 9521A
Skypod 3-bar spider bracket

CRS 9522A
Skypod 2-bar spider bracket

CRS 9523A
Skypod SQ spider bracket

CRS 9248
Skypod 3-bar bottom cap

CRS 9249
Skypod 2-bar bottom cap

CRS 9250
Skypod SQ spider bottom cap

Spider bracket screws
CRS 8626S
CRS 9626S

CRS 9421
Skypod foam bung

CRS 9422A
Skypod foam bung sealing plate

CRS 9520A
Skypod ridge body

CRS 8625
Single variable support stud

CRS 8624
Double variable support stud

CRS 9200
skypod screw cap covers

CRS 8501A
Standard rafter

CRS 8016
25mm rafter top cap

CRS 8011
Rafter bottom cap

CRS 8502A
Edwardian hip

CRS 8017
25mm Edwardian hip top cap

CRS 8012
Hip bottom cap

CRS 9550A
skypod Eaves 20°

CRS 9552A
skypod Thermally broken eaves beam 20°

CRS 9934
Boss kit

CRS 8053
Eaves beam seal

CRS 8024
24/25mm ridge glazing trim

CRS 8654
90° eaves beam cleat

CRS 8201
skypod Rafter/Hip end cap

CRS 9201
skypod Rafter end cap

CRS 9202
skypod Hip rafter end cap

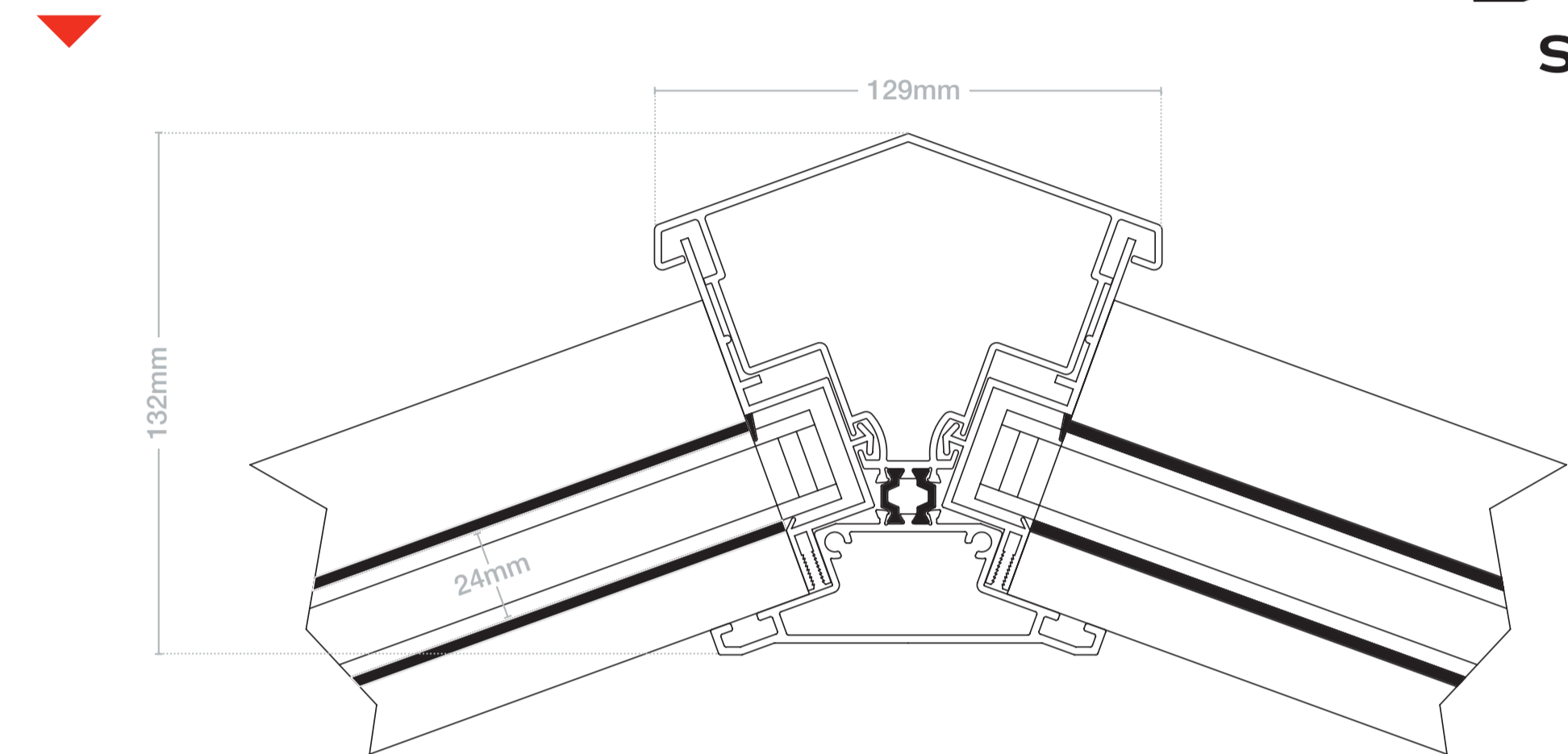
CRS 8211
Glazing stop screws (CRS 8682 Glazing stop screws)

CRS 9611S
Stainless steel glazing stop (CRS 8682 Glazing stop screws)

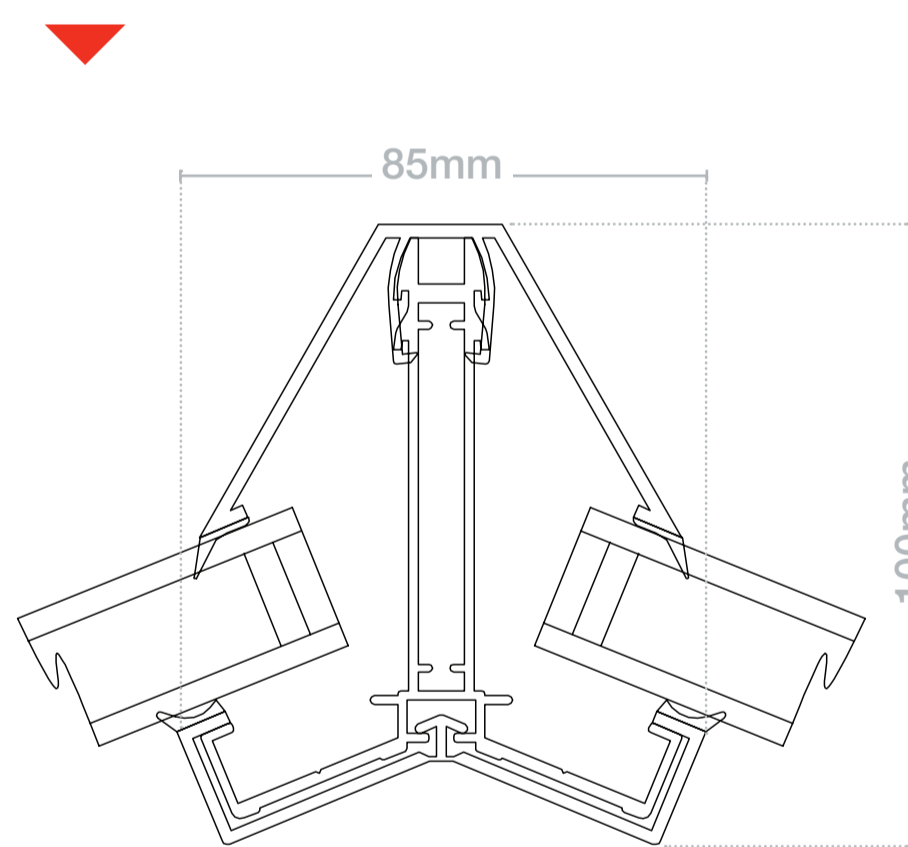
ASSEMBLIES

Ridge assembly

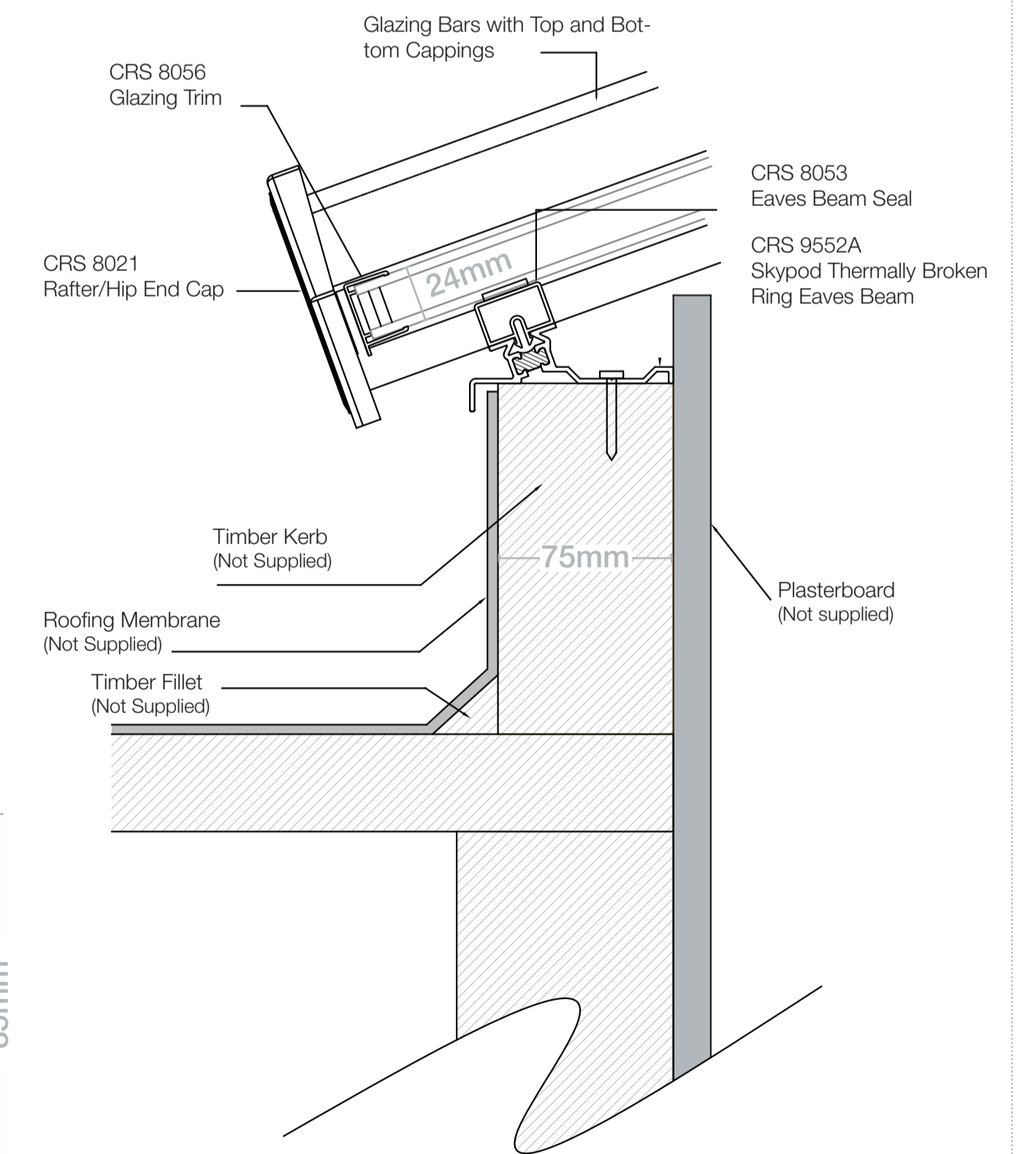
Powder-coated aluminium, thermally broken



Hip assembly



Ring beam on kerb assembly



Rafter assembly

